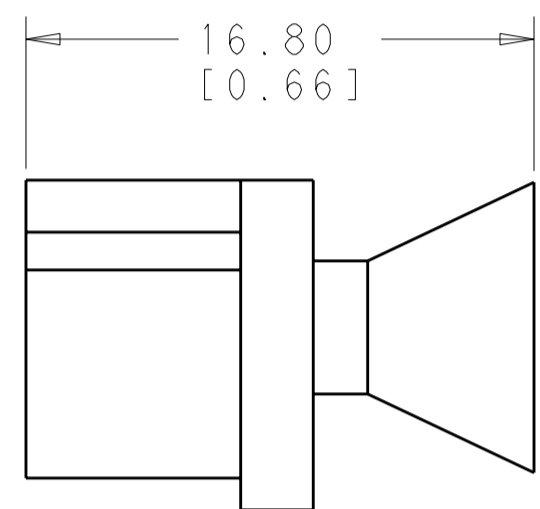
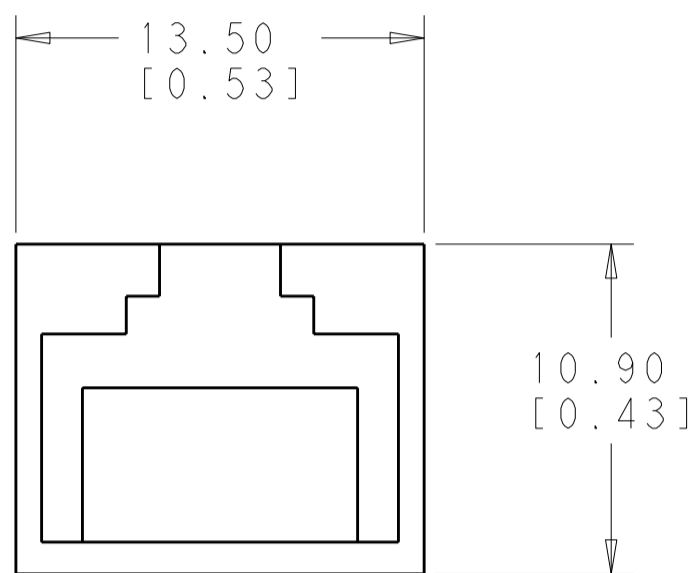
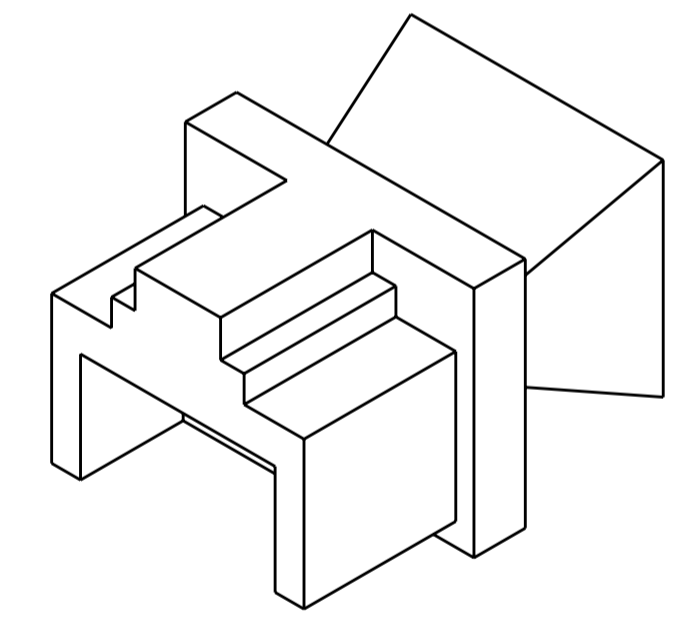
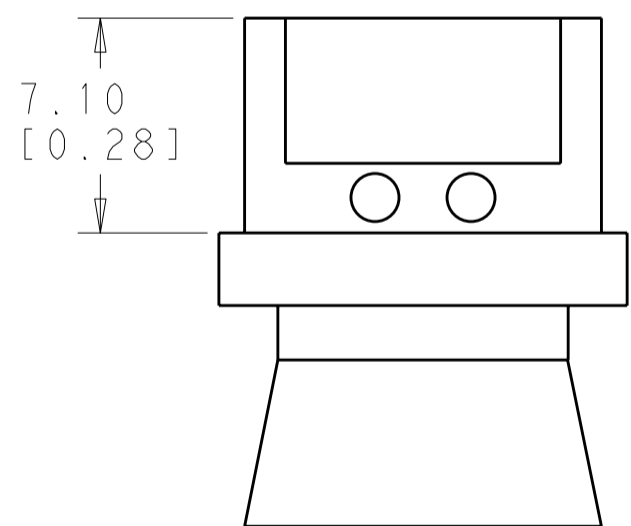


THIS DRAWING IS UNPUBLISHED. RELEASED FOR PUBLICATION 20
 © COPYRIGHT 20 BY TYCO ELECTRONICS CORPORATION. ALL INTERNATIONAL RIGHTS RESERVED.

LOC	DIST	REVISIONS			
P	LTR	DESCRIPTION	DATE	DWN	APVD
	A	RELEASE ECO-10-012208	17JUN2010	LH	RA



- 1 ALL DIMENSIONS SHOWN ARE NOMINAL UNLESS OTHERWISE SPECIFIED.
- 2 MATERIAL: PVC, BLACK.
- 3. COMPATABLE WITH RJ45 INTERFACE.



SCALE: 2:1

2111285-2
PART NO.

THIS DRAWING IS A CONTROLLED DOCUMENT FOR TYCO ELECTRONICS CORPORATION. IT IS SUBJECT TO CHANGE AND THE CONTROLLING ENGINEERING ORGANIZATION SHOULD BE CONTACTED FOR THE LATEST REVISION.		DWN L HALL 17JUN2010	Tyco Electronics Corporation Harrisburg, PA 17105-3608	
DIMENSIONS: mm [INCHES]		CHK R ASHBY 17JUN2010	NAME DUST COVER, RJ45, BLACK	
TOLERANCES UNLESS OTHERWISE SPECIFIED: 1 PLC ±0.5 2 PLC ±.05 3 PLC ±.005 4 PLC ±0.0001 ANGLES ± FINISH		APVD R ASHBY 17JUN2010	PRODUCT SPEC -	
MATERIAL 2 -		APPLICATION SPEC -	SIZE A200779	DRAWING NO C-2111285
		WEIGHT -	RESTRICTED TO -	
		CUSTOMER DRAWING	SCALE 2:1	SHEET 1 OF 1 REV A